

Specification

Power Supply Voltage	12~14.4V DC, Negative Ground
Max Current Consumption	15A
Max Output Power	4X60W

2DIN CAR MP5 PLAYER

OPERATING INSTRUCTIONS

HD Display

Stereo Radio

BT & Mirrorlink

USB playback / AUX input / TF card



BT



Dear Friend:

If you have any questions or suggestions, or if the product has any quality problems. No return is required, please find the corresponding order in "My Purchases" and click "Send Message" to contact us. We will reply to you within 48 hours and help you solve the problem.

Our product does not work for you? No problem! Simply follow the return process.

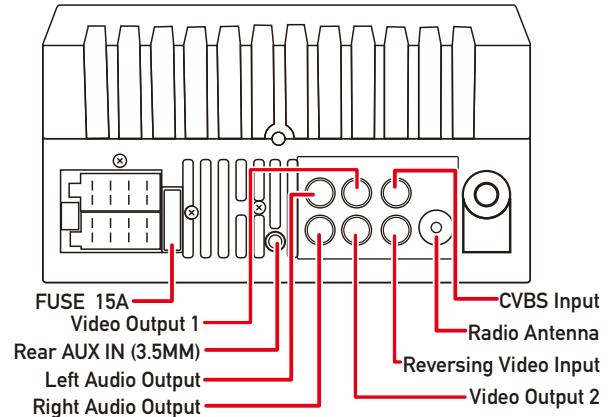
"I want to return the product"--->"It's what I bought but it doesn't fit me"--->"It's the color / size / model I chose but it doesn't fit me".

We will do our best to provide you with the best shopping experience. keep in contact. I wish you a happy life.

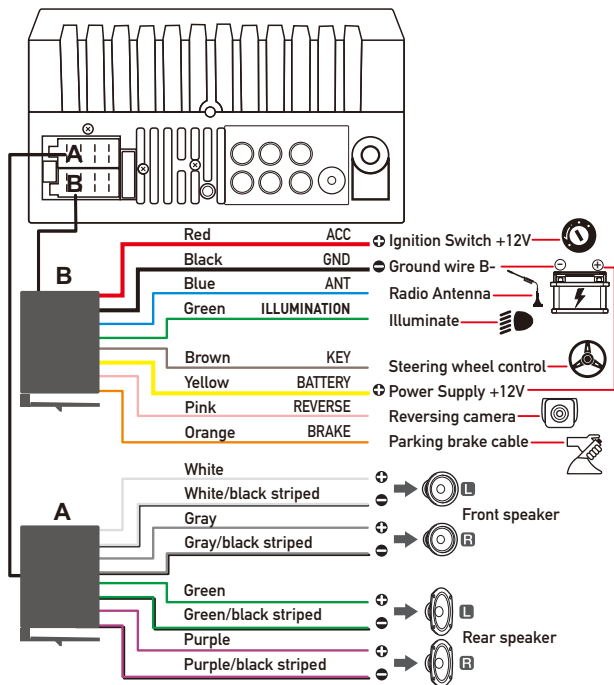
BEFORE INSTALLATION

Thank you very much for purchasing and using our products, when you receive the product, please do not take the product directly to the car for installation, because the product is in the after a long journey, it may affect the product. Please try the machine before installing.

REAR RCA PLUG DESCRIPTION



REAR INTERFACE DESCRIPTION

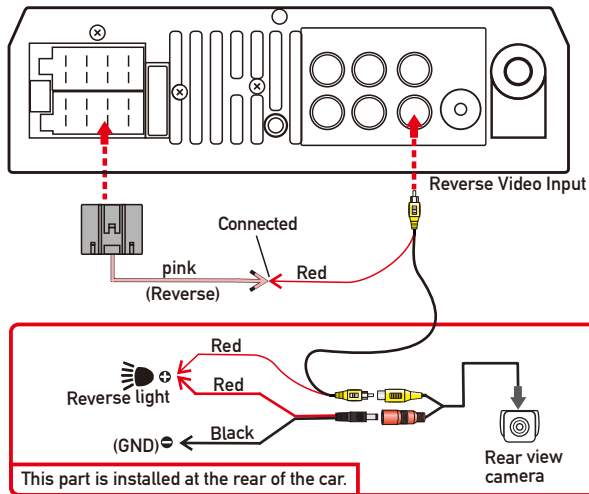


* When the yellow line B+ and the red line ACC have a 12V positive power at the same time, the unit can be turned on normally.

* The yellow line B+ keeps the power on and the machine has a memory function.

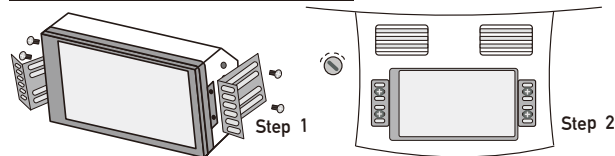
* 8 speaker cables, each cable can not be grounded, can not be shared, can not touch the line, otherwise there will be no sound output, output sound distortion, machine fever and so on.

REVERSING CAMERA INSTALLATION

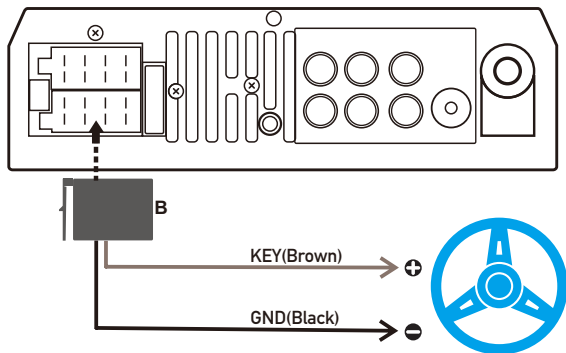


If the reversing camera is not installed, please do not connect the REVERSE/BACK cable to any place. Please leave the cable unconnected, otherwise the machine will not display properly, or it will automatically enter the reverse mode, which will cause the machine to fail. In case of such a situation, please disconnect the REVERSE/BACK line as soon as possible to avoid affecting the normal use of the user.

MACHINE FIXED REFERENCE



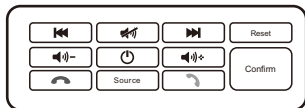
STEERING WHEEL CONTROL LEARNING




1. Connect the positive pole of the original steering wheel to the KEY wire of the machine plug.
2. Connect the negative pole of the original car steering wheel button wire to the GND wire of the machine plug.
3. In the "settings" interface, find "Steering Wheel Controls" and enter.
4. Enter the steering wheel control learning interface and press the button to learn. After the learning is successful, click the "confirm" button on the page. After saving, you can use the buttons on the original steering wheel to control the machine.

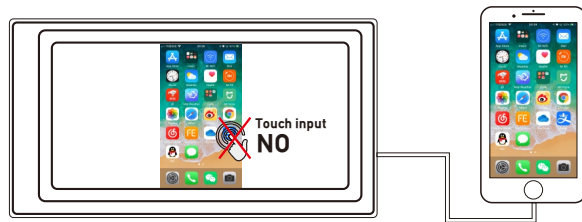
Learning method: press and hold a button on the steering wheel of the original car without letting go, find the button icon corresponding to the function of the button on the steering wheel of the machine. Click this icon to change the color, indicating that the button has been successfully learned, according to the same The way you can learn other buttons. After all the keys have been learned, click the "Confirm" button on the page to save the settings. If you need to relearn, please click the "RESET" button on the page and then re-learn.

Example:



iPHONE Mirrorlink (Airplay/iOSMirror)

 iPhone When the device is plugged into the iPhone, the content of the phone screen will be projected onto the car screen.



You can't control your smartphone here.

Android Mirrorlink (Autolink)

 Android When using an Android device, after connecting the USB data cable, you will be prompted to install the "Mirrorlink" software. After installation, Plug the data cable again, it will enter the screen mirroring mode. And it can be operated on both the player screen and the phone screen.

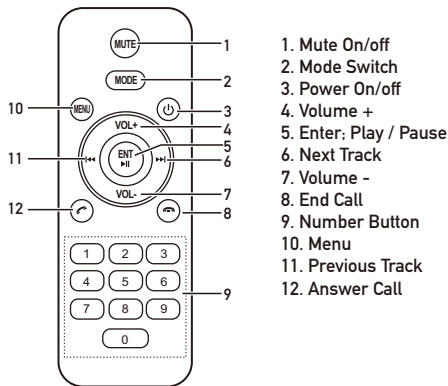


You can also control your smartphone here.

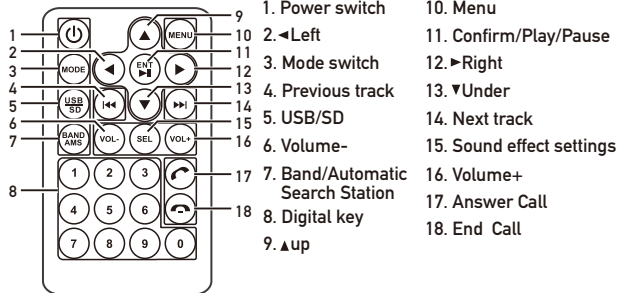
REMOTE CONTROL INTRODUCTION

The style of the remote control is subject to the style actually received.

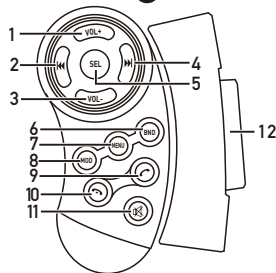
Remote Control 1



Remote Control 2



Remote Control 3



PLAY VIDEO WARNING

When the user watches the video, a triangular warning appears on the display: "video not available while driving". Unable to watch the video.

Example:



Safety warning:
Driving, forbidden to watch the video

Solution: Exit the interface at that time, enter the settings, set the circle on the right side of "Video Warning" to hollow, return to play the video, you can solve the problem.

Example:

Video Warning ●



Turn off it

The video will be played normally

BT CONNECTION

1. Turn on BT function on your mobile phone.
2. Press Mode button on car audio system until BT is displayed.
3. Search for nearby BT devices from your mobile phone menu.
4. Select "CAT-BT".
5. The mobile phone name will appear on the car audio system display.
Your mobile phone is now paired with the car audio system.
6. Now you can use the car player to make/answer calls and play music from mobile.
7. You can also use the navigation sound of your mobile phone to transmit to the car player.

TROUBLESHOOTING

1. CANNOT BOOT NORMALLY

1. The three wires "yellow", "red" and "black" are only connected to two of them, so they will not start. The yellow wire should be connected to the positive electrode, the red wire should be connected to the ignition wire, and the black wire should be connected to the negative electrode. Wrong connection will cause no boot.
2. The color specifications of the original car line and the machine line are inconsistent, and the original car line color is not standard, so that the connection will not only fail to turn on, but also may burn the machine.
3. The original car plug cannot be directly plugged into the machine, even if it can be plugged in, it cannot be used, otherwise the machine cannot be turned on or burned out.
4. The three wires are connected correctly, but it does not turn on. Check if the fuse on the yellow wire is damaged. If there is no problem with the fuse, twist the yellow and red wires together. Turn on the key and press the power button of the machine to see if it can be turned on.
5. Every time the fuse is replaced, it will burn. Please do not replace it again, because the protection circuit of the unit was short-circuited when the positive and negative poles were connected for the first time. This machine can be repaired under the guidance of our repairman. Otherwise, it can only be returned to after-sales. If there are no problems, or you can't boot, please do the last step to confirm, find the 12V battery or 12V power supply "yellow" and "red" twisted together with the positive pole, black to the negative pole, press the button to check whether it can be turned on, if it can be turned on, it means that the original car line is not connected well, or there is a problem with the car line. If it cannot be turned on, the device is broken. Do not turn it on, check the wiring carefully, and do not arbitrarily suspect whether

the machine has a problem.

2. AUTOMATIC SHUTDOWN

1. The cable is connected incorrectly. If the blue cable (automatic antenna power supply) is connected to the power cord of the unit, an automatic shutdown will occur. Please follow the correct wiring method to solve the problem.
2. The voltage is unstable. Please find a 12V-5A power supply and re-test to see if it will automatically shut down. If it does not automatically shut down after the test, replace the power supply. If it turns off automatically, there is a problem with the device.

3. NOISY

1. The original speaker power is too low. When the volume of this unit is turned up, there will be noise.
Solution: When changing speakers or listening to songs, the volume should not be too loud.
2. The speaker wire is grounded.
Solution: Take iron speaker wire. The speaker cable connected directly to this unit.

4. THE REMOTE CONTROL CANNOT BE USED

Check if the battery of the remote control is charged.

Test method: Turn on the camera of the phone, aim at the light of the remote control, and then press the button of the remote control to see if the phone will light up. If it does not light up, the remote control is out of power and the battery needs to be replaced.

5. SETTINGS CANNOT BE SAVED (NO MEMORY)

1. Connect the yellow and red wires together (separate them, connect the yellow to the positive pole, and the red to the ignition key)
2. The yellow and red wires are reversed (need to exchange positions)

6. CAR AUDIO WITH BLUETOOTH BUT NOT WORKING

Check whether the mobile phone can search for the Bluetooth

name of this machine.

Operation steps: Turn on this machine, use mobile phone Bluetooth to search, search for "CAR BT", and then click connect, after connecting, you can answer the phone or play songs via Bluetooth. Pairing password: "0000"

7. THE PRODUCT SMOKES

which proves that the internal circuit has been burned out, and replacing the fuse FUSE cannot solve the problem. In this case, the equipment needs to be repaired.

8. HOW TO ADJUST THE SOUND

- where is the equalizer set, and the sound cannot be adjusted
- Adjust the sound: please turn the volume to adjust.
 - Equalizer setting: In general, press the volume knob to display the equalizer SEL, and rotate the volume button to adjust each sound effect.
 - The sound cannot be adjusted:
1. Please reset the machine or unplug the power cord and plug it in again.
 2. The volume knob is broken, you can replace the knob.

9. REVERSING IMAGE IS NOT DISPLAYED

1. Wiring is wrong or missing.

Camera connection method:

- a>Step 1: find accessories (accessories: a camera + a power cord + a video cable).
- b>Step 2: Find the connection port. First find the reversing control wire (pink wire) on the power cord of the unit, connect this wire to the 12V positive terminal, and the screen will turn blue. Locate the CAMEAR-IN reversing video input interface on the back of the device, and find the sign of the reversing light.
- c>Step 3: Connect. There are two sockets on the camera, the red socket is connected to the power cord, the yellow is connected to the video cable, the red wire of the power cord and the red wire

of the video cable are screwed together with the positive pole of the reversing light, the black wire of the power cord is connected to the negative pole of the power supply, and the other of the video cable One end is connected to the CAMEAR-IN video input interface on the back of the machine. The red wire from the video cable is connected to the reverse control wire of the power cable.

2. The camera is broken. If the wiring is correct, but the camera light is not on, it should be damaged, and a new camera needs to be replaced.

10. U DISK CAN'T PLAY

Format the U disk, select the file system as FAT32, download the song again and try again. If it still does not work, please replace the USB flash drive. And enter the computer to view. If there is no content, you need to download again.

11. FM RADIO CAN'T FIND STATIONS

1. The radio antenna plug is not fully inserted, the antenna is disconnected or the line is disconnected. Please unplug the antenna plug, find a screwdriver or metal strip instead of the antenna to insert it.
2. Search the channel, press and hold the AMS button for 2 seconds without letting go, the unit will search automatically or press the up and down keys to search for channels.

12. NO SOUND JUST INSTALLED

The device has been tested before shipment. If there is no sound, it is usually the wiring error or the original car speaker wire and the iron short circuit. Follow the steps below to check it first.

1. Check whether the speaker wire is short-circuited and connected properly. If there is a short circuit, please reconnect it.
2. If there are only two speaker cables to prove that the original car wiring does not match our equipment, please check how many speaker cables are based on the original speaker cable, you

need to rearrange the original car wiring. A speaker must lead out two speaker wires. Two speakers must have four speaker cables to be used.

13. THERE IS NO SOUND AFTER A WHILE

1. Unplug all speaker cables of the unit (don't remove the speakers), then find an external speaker to connect to any group of gray, purple or green on the tail cable of the unit, and then try to see if there is any sound. If there is sound, it proves that the speaker wire of the car is shorted to the iron or the speaker is damaged. If there is no sound, the device is damaged.