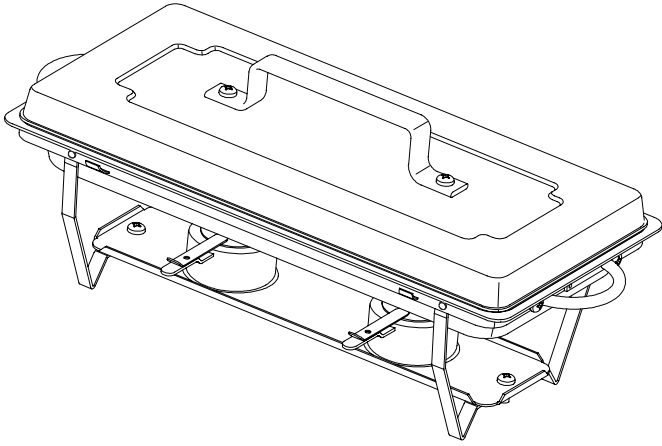


ASSEMBLY INSTRUCTIONS

SHJZ-V1

IMISKE-0003
IMISKE-0004
IMISKE-0005



STAINLESS STEEL DINING STOVE

ASSEMBLY INSTRUCTIONS

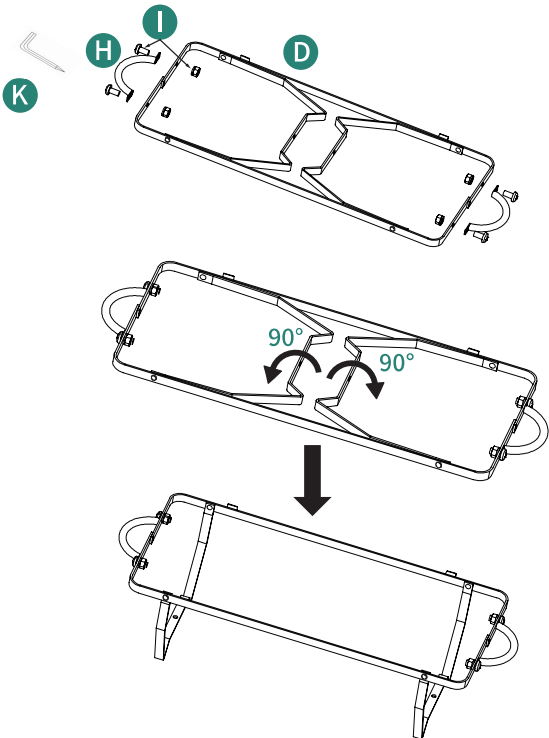
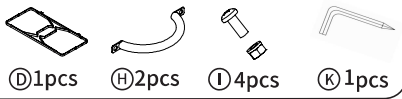
1. Gather and organize all required parts prior to assembly.
2. Assemble on a flat, clean and soft surface.

Item no.	Reference Image	Qty.	Item no.	Reference Image	Qty.
A		X1	G		X1
B		X1	H		X2
C		X1	I		X4
D		X1	J		X2
E		X1	K		1
F		X2	L		X2

1

ASSEMBLY INSTRUCTIONS

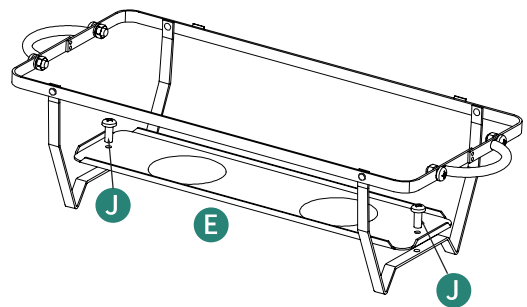
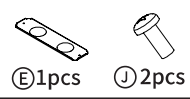
1



2

ASSEMBLY INSTRUCTIONS

2

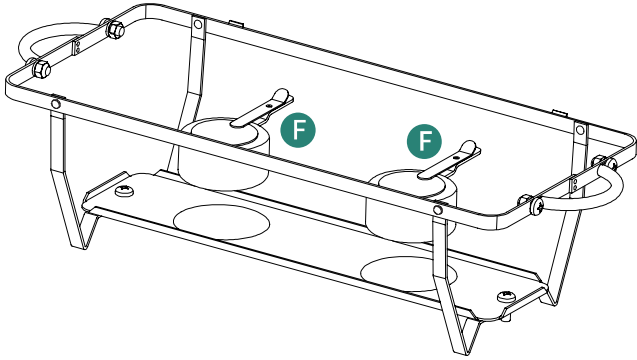


3

3



F 2pcs



4

4



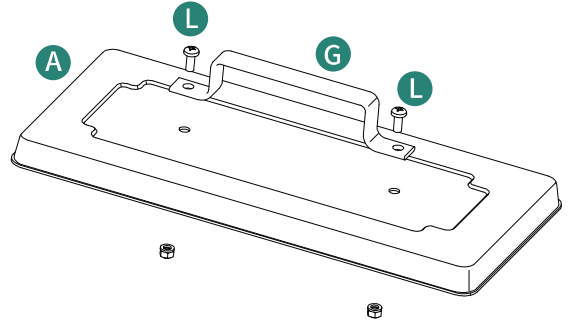
A 1pcs



G 1pcs



L 2pcs



5

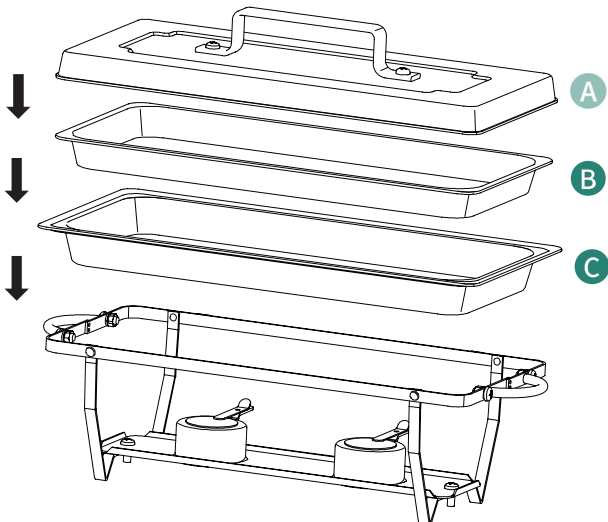
5



B 1pcs

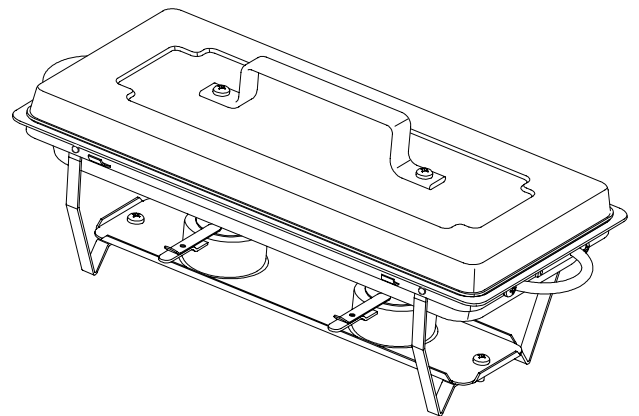


C 1pcs



6

6



Installation Completed

6

CONTACT US:

If you encounter any difficulties during assembly, please contact us at after-sale.cs@hotmail.com.

Alternative method to contact us (amazon.com/amazon.co.uk orders only)

- 1. Log into your Amazon account
- 2. Go to "Your Orders" and find the purchase
- 3. Click on "Contact Seller"

7